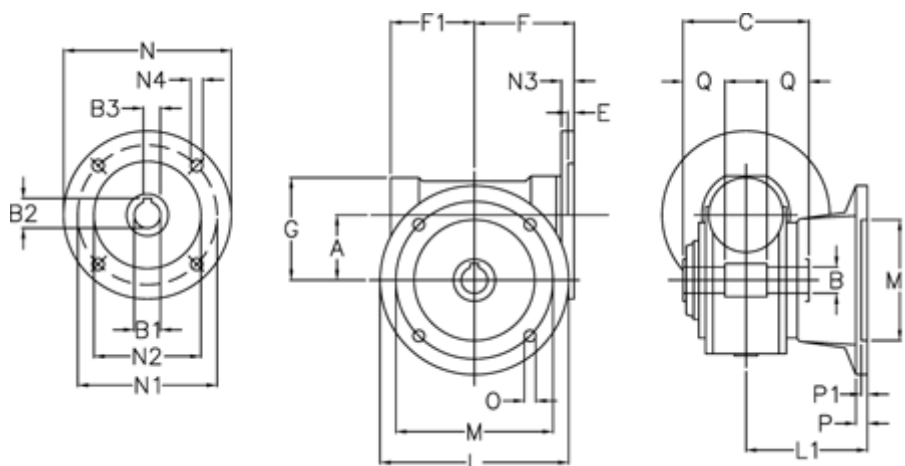


Article number: 390204402042810
 Description: Worm gear
 VF 44-F2-20-71B14

Measures



A	= 44.6	F1	= 54	N2	= 70
B	= 18 H7	G	= 71	N3	= 10
B1 E7	= 14	L	= 110	N4	= 7
B2	= 16.3	L1	= 60.5	O	= 8.5
B3 H9	= 5	M	= 87	P	= 9
C	= 64	M1	= 60	P1	= 7
E	= 2	N	= 105	Q	= 24.5
F	= 65	N1	= 85		